



MB-1 MOBILE FOG MACHINE

User Manual

- ENGLISH
- 中文



Mobile
MB-1 Fogger



Mobile

MB-1 Fogger

- ENGLISH -

Safety Information



Please read the following safety information carefully before operating the machine. This information includes important safeguards about installation, usage, and maintenance. Pay attention to all warning labels and instructions in this manual and printed on the machine.

If you have questions about how to operate the machine safely, please contact your local Antari dealer for help.

- Keep this device dry.
- Always connect to a grounded circuit to avoid risk of electrocution.
- Do not operate if power cord is damaged. If power cord is damaged, replace it immediately with a new one of same power rating.
- Remove the machine from battery or power adaptor before servicing and when not in use.
- This product is for indoor use only! Do not expose to rain or moisture. If fluid is spilled, remove machine from battery or power adaptor and clean with a damp cloth. If fluid is spilled onto electronic parts, immediately unplug the machine and contact your local Antari dealer for advice.
- No user serviceable and modifiable parts inside. Never try to repair this product, an unauthorized technician may cause damage or malfunction to the machine.
- For adult use only. Never leave the machine running unattended.
- For persons with reduced physical, sensory or mental capabilities or lack of experience and knowledge, supervision or instruction must be given concerning use of appliance in a safe way and understand the hazards involved.
- Install the machine in a well-ventilated area. Provide at least 50 cm space around the machine.

- Never add flammable liquid of any kind to the machine.
- Make sure there are no flammable materials close to the machine while operating.
- Only use Antari fluid. Other fluid may lead to heater clog and malfunction.
- If the machine fails to work, unplug the machine and stop operation immediately.
Contact your local Antari dealer for advise.
- Before transporting the machine, make sure the fluid tank is completely drained.
- Fog fluid may present health risks if swallowed. Do not drink fog fluid. Store it securely.
In case of eye contact or if fluid is swallowed, immediately look for medical advice.

Unpacking and Inspection

Immediately upon receiving the machine, carefully unpack the carton, check the content to ensure that all parts are present and have been received in good condition. If any parts appear damaged or mishandled from shipping, notify the shipper immediately and retain the packing material for inspection.

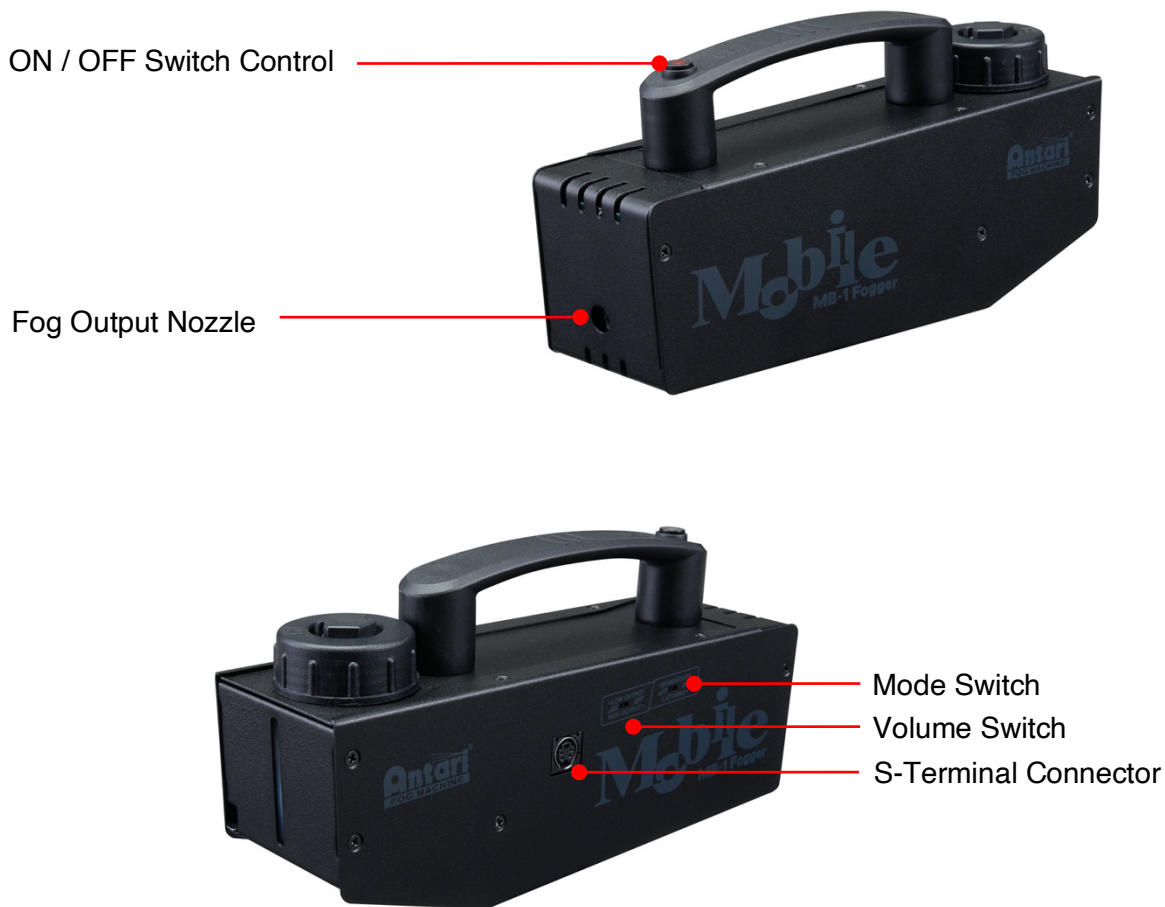
What is included:

- 1 x MB-1 Fog Machine
- 1 x Battery
- 1 x Battery charger
- 1 x FLM-05S water-based liquid
- 1 x User Manual
- 1 x Flightcase

Product Dimensions



Product Overview



Setting Up

Step 1: Place the machine on a flat surface and in a suitably large area with at least 50 cm of open space around the machine.

Step 2: Fill the fluid tank with Antari FLM-05S fluid.

Step 3: Please fully charge the battery upon receipt of the machine and before and after each operation. Charge the battery by plugging the charger adaptor into a grounded electrical outlet. Yellow light on the adaptor indicates charging, when it turns green then the charge complete. Please note the battery requires 3 hours charge time. A fully charged battery can run the machine for roughly 12 minutes.



Plug in the charger



Yellow indicates charging

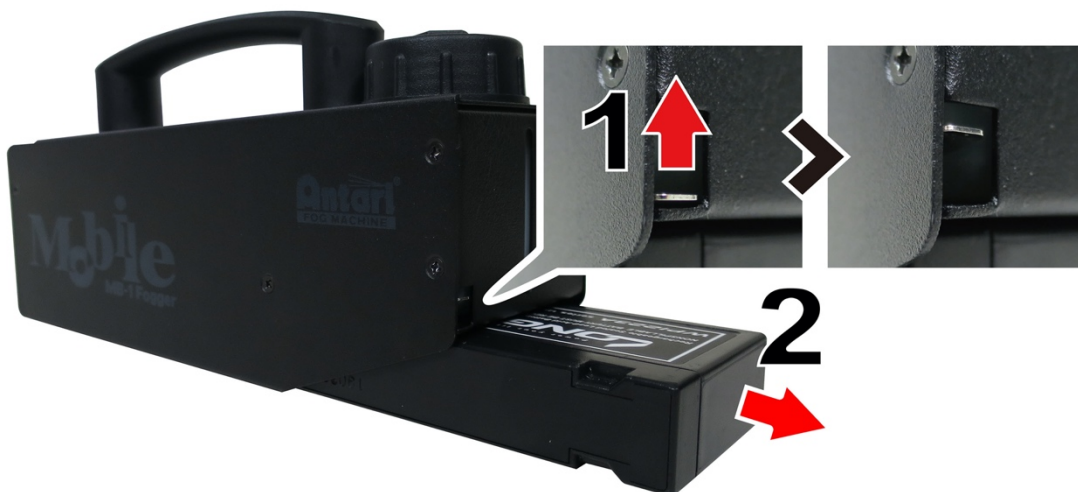


Green indicates charging complete



Always connect the machine to a protected circuit and ensure it is properly grounded to avoid risk of electrocution.

Step 4: Slide in the battery into bottom of MB-1 with label face up. Turn on the machine to start operation.



Pull to release locking lever

Step 5: To start making fog, press the button to start making fog, release to stop.

Step 6: To turn off the machine, remove battery from machine.

Operation

Control Panel Operation

The machine can be operated with the On/Off button and output level can be adjusted from the switch located on the side. When using MOMENTARY Mode press and hold the button to make fog, release to stop. In LATCHING Mode, press button once to produce fog, press again to stop.



MCT-2 Cable Timer Remote Operation (Optional)



To operate the machine by remote control, connect the remote to the S-terminal connector located on the side of machine. Use the switch to turn fog on/off, and use the rotary knob to adjust the interval and duration time.

MCR-1F Wireless Operation (Optional)



W-1 Wireless Transmitter

Wireless remote control system MCR-1F consists of a transmitter equipped with two buttons to activate and deactivate fog output with an external receiver connect to the side of MB-20 fog machine.

Press [A] button to emit fog.

Press [B] button to stop.

In a an unobstructed open space the effective distance is 50 meters, usage depending on obstacle level has an effective distance is 10-25 meters.

Registering a transmitter

Transmitters can be paired from the receiver. Each receiver can pair up to 5 transmitters.

Follow the steps below to pair or delete a transmitter from a receiver.

To Pair

Step 1: Connect receiver to S-terminal connector located on the side of machine

Step 2: Press and hold [A] to pair

Transmitter battery replacement

If the effective distance seems to decrease, it is possible the battery level is low and requires replacement. In order to replace the battery, undo the three screws on the back of transmitter to release the cover. Replace with the same type and specification of battery which is 27A 12V

DCP-12 Power Adaptor and Dummy Battery (Optional)

Use dummy battery for continuous operation. Slide in dummy battery into bottom of MB-1 machine. Connect the battery with power adaptor. Follow operation instruction above to operate.



Fluid



Only use Antari FLM-5S water-based liquid for the MB-1 Fog Machine. The machine is tested and calibrated with this liquid to get the best output performance. Warranty will be voided if any other type of liquid is used. Improper use of liquid may lead to machine failure or malfunction.

Service and Maintenance

- Do not allow the machine to become contaminated.
- Remove dust from air vents with air compressor, vacuum or a soft brush.
- Only use a damp cloth to clean the casing.
- Before storing run distilled water through the system to help avoid condensing the pump or heater.
- It is recommended to run the machine on a monthly basis in order to achieve best performance and output condition.
- Excessive dust, liquid and dirt built up will degrade performance and cause overheating.

Maintenance of Rechargeable lead-acid Battery

To give the rechargeable battery long lifespan and best performance, please follow below instructions:

- Please fully charge the battery upon receipt of the machine and before and after each operation. Please note the battery requires 3 hours charge time.
- Every 2-4 weeks, check and ensure the battery has sufficient power to work. At least charge the battery to full every 2-3 months.
- Before storage, please have the battery fully charged.
- Please store the fully charged battery and the machine in cool and dry area, avoid directly sunlight.
- Please charge the battery within 1 hours if the battery is going to run out of power.
- Battery capacity changes as temperature differs. Life and capacity of battery is rated at 25°C, ambient temperature and humid change will significantly affect battery life.
- If you have any question on maintenance and usage, please contact your local dealer for advice.

Status Messages

Status LED	Indication
Solid Green	Machine ready for operation
Flashing Red	Battery is low
Flashing Red/Yellow	Heater is defected, machine can not be operated

Technical Specifications

- Input voltage	DC 12V (Battery) AC 100-240V, 50-60Hz (Battery charger)
- Rated power	75W
- Warm-up time	1 second (approx.)
- Fluid consumption	1.1 ml/min
- Fluid tank capacity	110 ml (0.03 gal)
- Compatible fluid	Antari FLM-5S Fog Fluid
- Ambient temp. range	0 °C - 40 °C (32 °F-104 °F)
- Control	Manual Wireless (Optional) Timer (Optional)
- Optional accessories	MCR-1F Wireless Remote MCT-2 Cable Timer Remote DCP-12 Power Adaptor and Dummy Battery
- Dimension	L 228 W 66 H 112 mm (L8.98 W2.60 H4.41 inch)
- Weight	1.8 kg (3.97 lbs) 1 kg (2.2 lbs) without battery



- 中文使用說明書 -

使用說明及安全注意事項



在使用機器以前，請仔細閱讀以下說明，此份說明書包含了如何在安全的情況下安裝使用機器，且會說明機器上所有標示的標籤所代表的意義。

如果您有任何使用上的問題，請聯繫當地的 Antari 經銷商尋求清楚的說明與協助。

- 保持機器的乾燥。
- 請配合接地型插座，以避免觸電的危險。
- 如果電源線損壞，請連繫當地的Antari經銷商尋求說明與協助。
- 機器不使用或更換零件時，請移除電池或電源轉換器。
- 本產品僅限室內使用，請勿將機器暴露在雨中或潮濕的環境，如果有液體(煙霧油)翻倒或溢出，請勿連結機器與 AC 電源，用乾布擦拭乾淨，如果任何液體進入機器電子零件，請立即拔除插頭，並連繫當地的 Antari 經銷商。
- 本機器不含任何用戶拆解和自行維修或修改的零件在內，請勿嘗試自行維修或改裝機器，未經授權的技術人員，可能導致機器故障或永久損壞。
- 機器限成人操作，請勿在無人值守時讓機器運作。
- 請勿讓身體、精神、感官存在缺陷或經驗不足者(包括兒童)使用本機器。
- 在通風良好的地方安裝使用機器，機器周邊至少應保留 50 公分的空間。
- 請勿添加任何易燃物品進入機器。
- 操作機器時請確認周邊沒有任何易燃的材料。
- 為確保機器的使用壽命，請使用 Antari FLM-05S 煙霧水，添加其他液體可能會導致電熱管阻塞和機器的故障，並使保固失效。
- 如果機器出現故障，請立即停止工作，拆下電池，並請聯繫您當地的 Antari 經銷商。
- 運送機器以前，請確認機器的油箱以完全清空。
- 煙霧水不能食用，吞食煙霧水可能導致損壞健康的風險，請將煙霧水存放在室內安全的地方。如果碰觸到眼睛或誤吞食，請立即尋求醫生的協助。

包裝內容

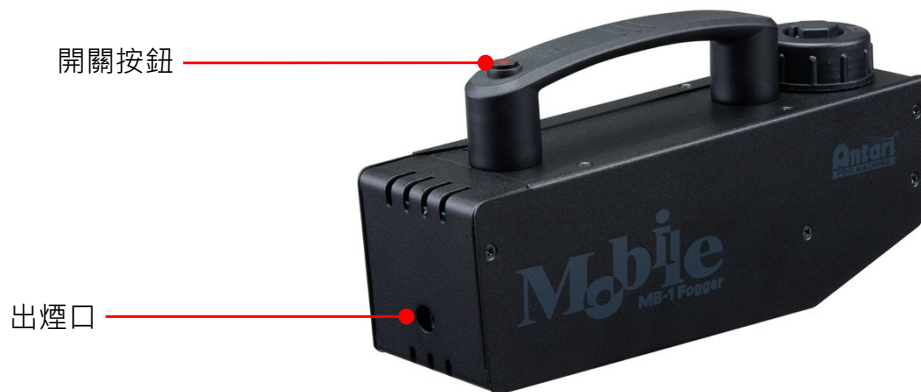
在收到機器後，請立即小心地打開包裝紙箱，檢查所有內容，以確保所有零配件都有齊全收到，並處於良好的狀態。如果有任何部件因運輸過程出現損壞或缺少，請立即連絡經銷商，並以原包裝退回檢查。

內容物包括: MB-1 手提式煙霧機 1 台
充電電池 1 個
電池充電器 1 個
FLM-05S 水性煙霧水 1 瓶
使用手冊 1 本
飛行箱 1 個

機器尺寸



機器外觀概述





設定安裝

步驟 1: 將機器平放於平坦的表面，機器周圍至少應保留 50 公分的空間。

步驟 2: 將 Antari FLM-05S 煙霧水注入機器的油桶，鎖緊油蓋。

步驟 3: 收到產品後，請先充電 3 小時將電池充飽。每次使用前、後，亦皆須將電池充飽。將充電器接上電源插頭，然後將電池連接充電。充電器上亮起黃色指示燈代表正在充電中，當指示燈轉為綠色表示充電完成。充電完後約能使用 10~12 分鐘。



將電池接上充電接頭



指示燈為黃色代表充電中

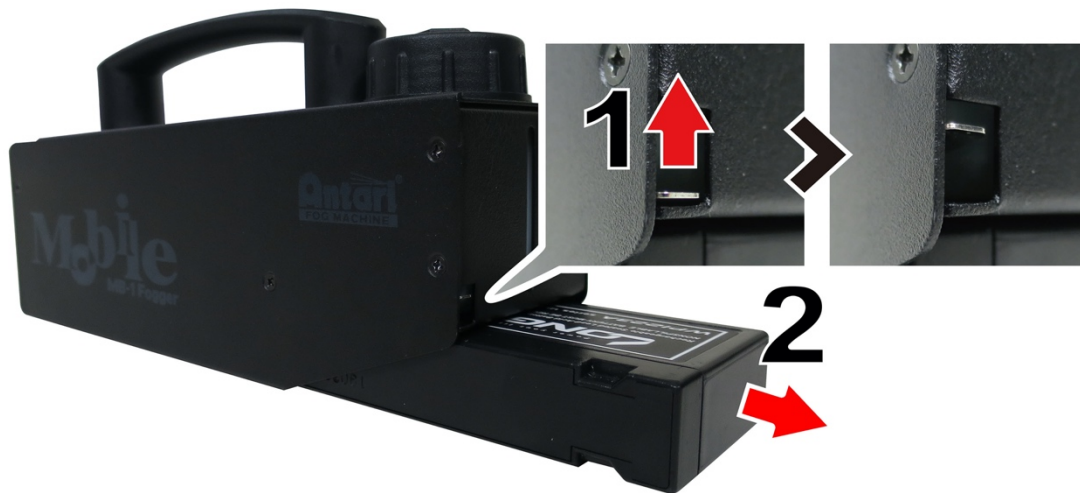


指示燈為綠色代表充電完畢



請務必將插頭連接到有保護的電路，並確保有正確的接地，以避免觸電的危險。

步驟 4: 將電池安裝至機器，請注意將電池的貼紙面朝上，請見以下圖示。銀色卡榫為固定電池之用。



剝起銀色卡榫抽出電池

步驟 5: 欲使機器開始噴煙，請按住把手上的按鈕，鬆開按鈕即停止噴煙。

步驟 6: 欲關閉機器時，請將電池從機器移除。

操作

機器控制操作

可以透過把手上的開關按鈕，以及機身上的兩組開關調整 MB-1 的兩段輸出量(LOW OUTPUT/HIGH OUTPUT)以及控制模式(MOMENTARY/LACHING)。

設定為 MOMENTARY 模式時，按住 MB-1 的把手開關使機器開始噴煙，鬆開按鈕則停止噴煙；設定為 LATCHING 模式，則按一下把手開關開始噴煙，再按一次按鈕則停止噴煙。



MCT-2 定時控制器操作說明 (選配)



欲使用 MCT-2 定時控制器控制 MB-1 機器，請將控制器連接至機身上的 S 端子連接座。控制器上有紅色、綠色即黃色三個按鈕，以及 DURATION 及 INTERVAL 兩個旋鈕。按下紅色按鈕(POWER ON/OFF) 啟動/關閉控制器功能，按下綠色按鈕(FOG)啟動機器噴煙，黃色按鈕(TIMER ON/OFF)則是啟動計時功能。DURATION 用來調整煙霧輸出的時間；INTERVAL 則用來調整每次煙霧輸出的時間間隔。

MCR-1F 無線控制器操作說明 (選配)



W-1 無線發射器

MCR-1F 無線控制器組包含 1 個 W-1 無線發射器以及 1 個無線訊號接受器。

欲使用無線控制器，請將無線訊號接收器連接至 MB-1 機身上的 S 端子連接座，使無線發射器與接收器對頻後即可使用。

W-1 無線發射器

-發射器：使用 27A 12V 電池

-接收距離：在無障礙物的開放空間，有效距離為 50 公尺。

實際狀況根據障礙物多寡，保守距離為 10-25 公尺。

-W-1 無線發射器配有[A][B]兩個按鈕，可控制 MB-1 開始/停止噴煙。

按下[A]鍵啟動噴煙，按下[B]鍵則停止噴煙。

無線發射器配對說明

發射器可與接收器對頻及取消對頻。每個接收器可以與最多 5 組發射器對頻。請按照以下圖中的步驟來取消與對頻無線發射器:

To Pair

步驟 1: 將接收器連接之 MB-1 機身上的 S-端子連接座

步驟 2: 按下發射器上的[A]鍵開始對頻

更換無線發射器電池

如果無線控制器的有限控制距離縮短，可能是電池的電力不足，需要更換。請將無線發射器背後的三個螺絲旋開，打開背蓋，使用同樣是 27A 12V 的電池更換。

DCP-12 交換式電源供應器及假電池 (選配)

可搭配 DCP-12 交換式電源供應器及假電池組來延長噴煙時間，不受電池電力所限。將假電池裝到 MB-1 機器上，並將交換式電源供應器的接頭連接至假電池，按照上方的操作說明操作即可。



適用煙霧水



MB-1 手提式煙霧機，僅能使用 Antari FLM-05S 煙霧水。機器使用 FLM-05S 煙霧水進行測試與校正，使用此煙霧水將產生最佳的煙霧效果。使用其他的煙霧水，將導致機器故障並使保固失效。

維護與保養

- 請保持機器清潔，不要讓機器髒汙。
- 可以使用空氣壓縮機、吸塵器或軟刷除去機器上的灰塵。
- 機殼可使用濕布擦拭。
- 存放或收起機器前，請確認機器完全冷卻，以避免幫浦或加熱管產生冷凝。
- 建議每月至少讓機器運轉一次，以保持機器處於最佳的性能和輸出條件。
- 機器上過多的灰塵、液體殘餘累積的髒污會降低機器工作性能，導至散熱不良。

充電電池的維護與保養

為維護充電電池的使用壽命及蓄電狀況，請按照以下步驟保養電池：

- 收到產品後，請先充電 3 小時將電池充飽。每次使用前、後，亦皆須將電池充飽。
- 電池會逐漸放電，請每 2-4 週需檢查電池是否還有電量，至少每 2-3 個月須將電池充飽一次。
- 儲藏前，請將電池充飽。
- 請將機器及充飽的電池儲放在陰涼且乾燥的地方，避免陽光直曬。
- 當充電電池電量低或快沒電時，請在 1 小時內充電，避免電池耗損導致故障，無法充電。
- 密閉式鉛酸蓄電池是以 25°C 為基準定義電池使用壽命與容量，當環境溫度超過 25°C 時，每升高 10°C 電池的壽命會縮短 50%。所以電池作業的環境溫度變化對電池影響極大。
- 如對電池保養以及使用上有任何疑問，請與當地的 Antari 經銷商聯繫。

機器狀態 LED

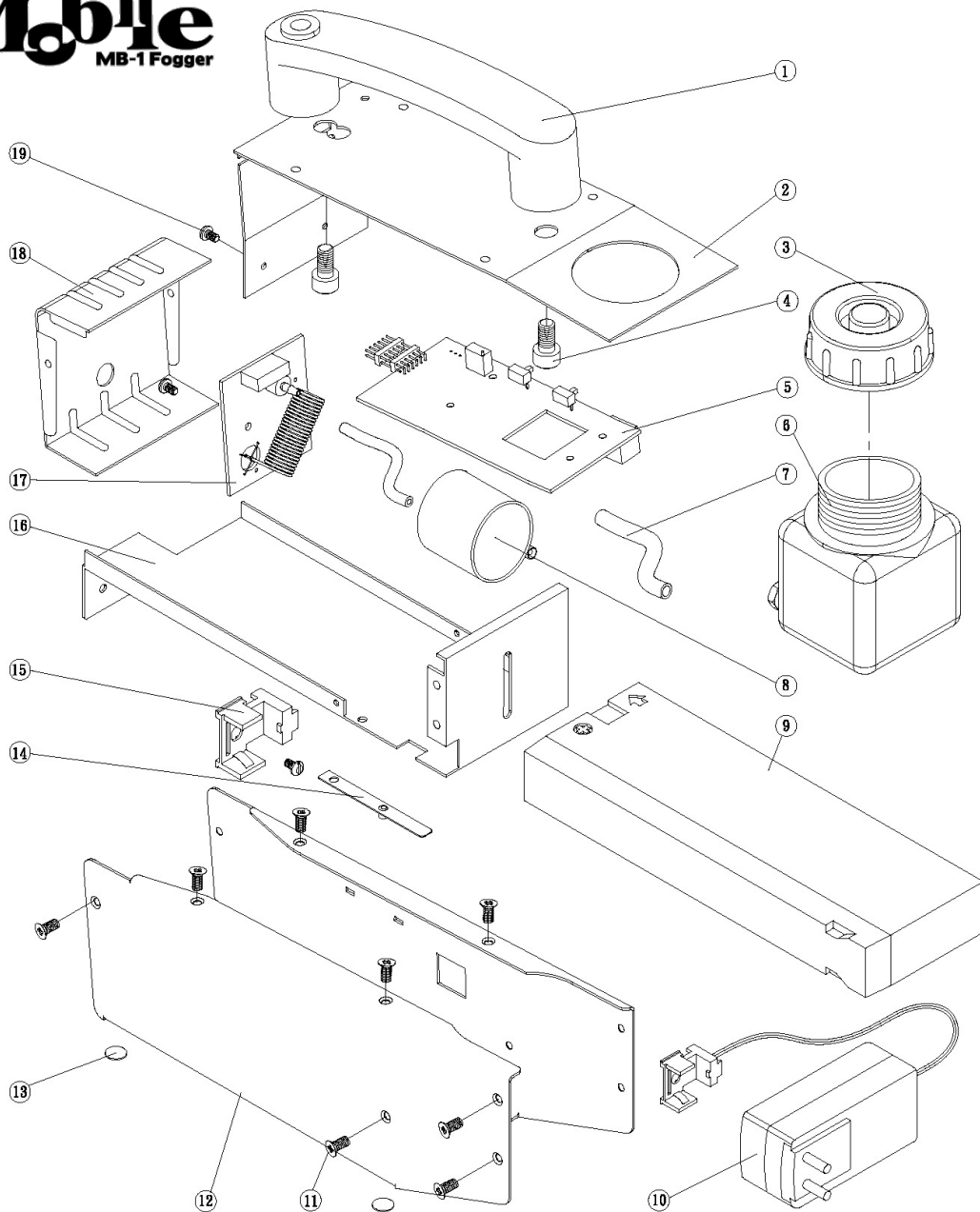
LED 顯示狀態	說明
綠燈恆亮	機器完成準備，正常噴煙
紅燈閃動	電池電量不足
紅燈/黃燈交叉閃動	加熱管異常，無法加熱

規格資料

- 電壓 DC 12V (充電電池)
AC 100-240V, 50-60Hz (電池充電器)
- 額定功率 75 瓦
- 加熱時間 (約) 1 秒
- 耗油量 1.1 毫升/分鐘
- 油桶容量 110 毫升 (0.03 加侖)
- 適用煙霧水 Antari FLM-5S 水性煙霧水
- 適用環溫 0 °C - 40 °C (32 °F-104 °F)
- 控制方式 手動控制
無線控制 (選配)
定時控制 (選配)
- 選擇性配件 MCR-1F 無線控制器
MCT-2 有線定時控制器
DCP-12 交換式電源供應器及假電池
- 尺寸 長 228 寬 66 高 112 mm
(長 8.98 寬 2.60 高 4.41 inch)
- 重量 1.8 kg (3.97 lbs)
1 kg (2.2 lbs) 不含電池

Mobile

MB-1 Fogger

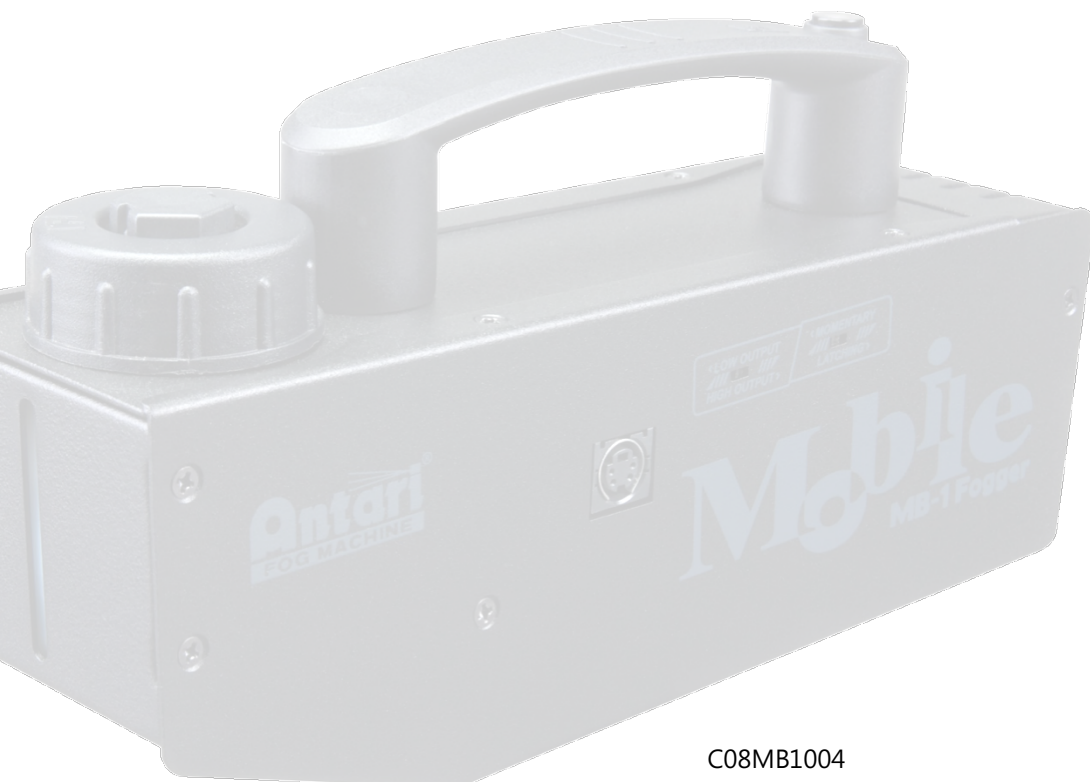


MB-1E-Machine

- | | | |
|--------------------------------|----------------------|------------------------------|
| ① Handle(included Push Button) | ⑨ Battery | ⑬ Panel |
| ② Steel Case/Cover | ⑩ Battery Charger | ⑭ Heater Element P. C. Board |
| ③ Tank's Cap Group | (EU removable pin) | ⑮ Steel Case/Front Cover |
| ④ M8x12L Screw | ⑪ M3x6L Screw(Black) | ⑯ M3x6L Screw(Black) |
| ⑤ Main P. C. Board | ⑫ Steel Case/Base | |
| ⑥ Tank Group | ⑬ Foot | |
| ⑦ Silicon Tube | ⑭ Plate | |
| ⑧ Pump | ⑮ Connect | |

Antari[®]
FOG MACHINE

Mobile
MB-1 Fogger



C08MB1004